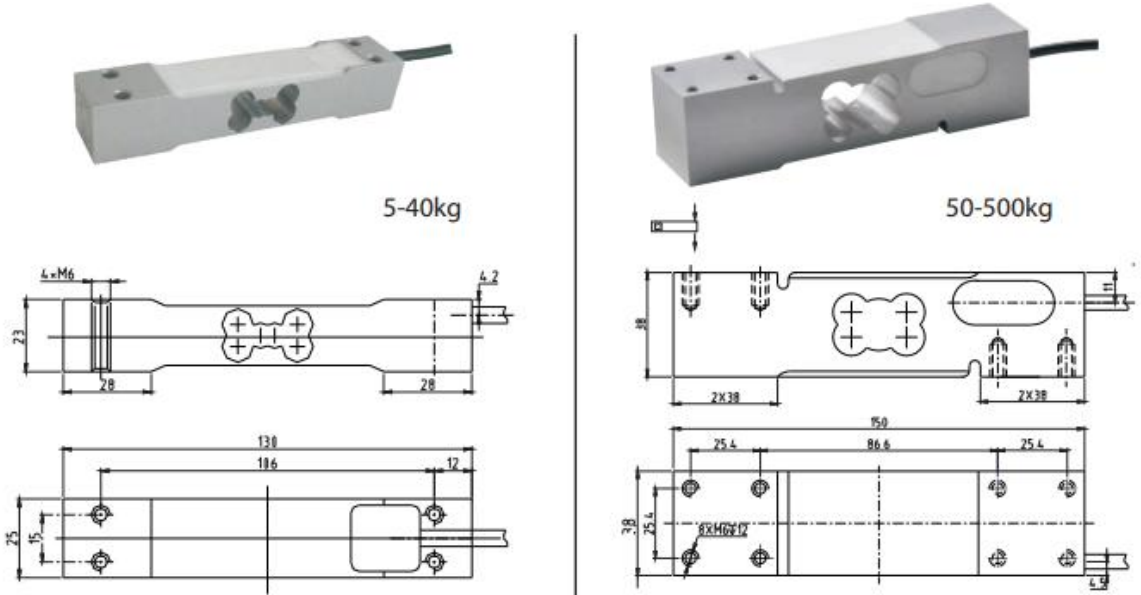


AMI Load cell

AMI



All kinds of platform scales.

TECHNICAL PARAMETER

OAP version 4Wires:Exc+(Blue);Exc-(Black);Sig+(White);Sig-(Red)

Rated capacities(Emax)	3, 5, 6, 8, 10, 15, 20, 30, 35, 40kg	Temperature range, compensated	-10°C~+40°C
Sensitivity	2.0±0.2mV/V	Temperature range, operating	-20°C~+50°C
Accuracy class	OIML C3(approving)	Maximum safe overload	150%Emax
Creep error (30min)	±166ppm	Ultimate overload	300%Emax
Zero balance	±3%Emax	Excitation,recommended	10V DC
TC ZERO	±17.5ppm/°C	Excitation,maximum	15V DC
TC SPAN	+20°C~+40°C, ±17.5ppm/°C	Protection class	IP65
	-10°C~+20°C, ±11.67ppm/°C	Construction	Aluminium
Input resistance	404±15Ω	Cable	Length:0.5 m
Output resistance	350±3Ω		Diameter: φ 5mm
Insulation resistance	≥2000 MΩ (50V DC)	Installation torque,recommended	10N·m
Max platform size	300×300mm		

Rated capacities(Emax)	50,60,100,150,200,250,300,500kg	Temperature range, compensated	-10°C~+40°C
Sensitivity	2.0±0.2mV/V	Temperature range, operating	-20°C~+50°C
Accuracy class	OIML C3(approving)	Maximum safe overload	150%Emax
Creep error (30min)	±166ppm	Ultimate overload	300%Emax
Zero balance	±3%Emax	Excitation,recommended	10V DC
TC ZERO	±17.5ppm/°C	Excitation,maximum	15V DC
TC SPAN	+20°C~+40°C, ±17.5ppm/°C	Protection class	IP65
	-10°C~+20°C, ±11.67ppm/°C	Construction	Aluminium
Input resistance	404±15Ω	Cable	Length:1.8m
Output resistance	350±3Ω		Diameter: φ 5mm
Insulation resistance	≥2000 MΩ (50V DC)	Installation torque,recommended	10N·m
Max platform size	400×400mm		

